

The Heritage Range

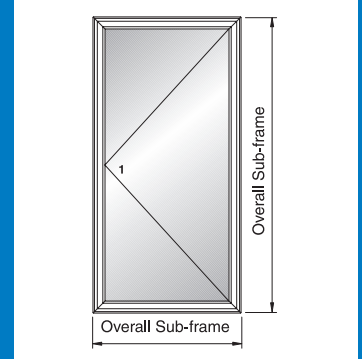


The Product

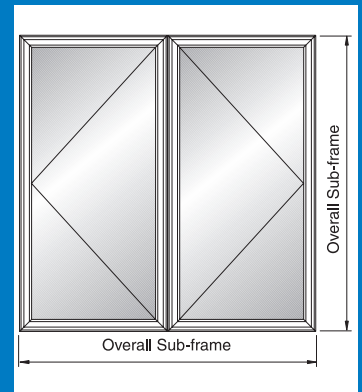
Without doubt the most versatile type of secondary glazing. Ideally suited to large glazed areas with minimal sight lines, the system offers a high level security with easy access to the primary glazing.

How it works

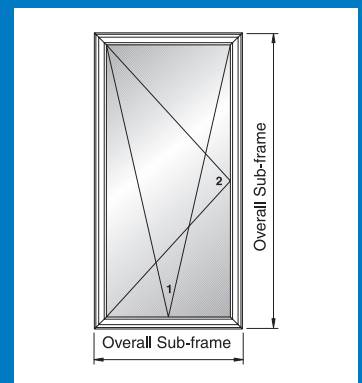
A robust system with a broad range of glazing capabilities, the can be hung on either butt hinges or concealed stays and is secured by use of a multi point locking system actuated by a single handle anti-ligature detail and gear box. The ability to utilise Tilt and Turn gearing also increases the flexibility of use, giving high level ventilation and a secure night vent position, whilst retaining easy access to the primary glazing for cleaning and general maintenance.



SINGLE HINGED UNIT



DOUBLE HINGED UNIT



TILT & TURN

All options fitted with a multi point high security locking system

Butt or Concealed Hinges

Technical Specifications

Hardwood Sub-Frames Sizes

21mm x 45mm Standard
21mm x 62mm Reveal Fix
30mm x 30mm Bay Adaptor

Hardwood or PVC-u Trims Sizes

6mm x 21mm S.B.N.
6mm x 27mm S.B.N.
6mm x 37mm S.B.N.
6mm x 44mm S.B.N.
6mm x 55mm S.B.N.
6mm x 75mm S.B.N.
6mm x 15mm D.B.N.
6mm x 35mm D.B.N.
6mm x 43mm D.B.N.

Aluminum

Aluminum alloy extruded to exclusive Granada designs from 6063T6 alloy to BS1474.

Finishes

White Powder Coat, 60 Micron, Interpon SA 098E High Gloss
Van Dyke Brown, 60 Micron, BS08B29 High Gloss
Silver anodised, AA5
RAL colours available on request

Glazing

In accordance with BS 6206. Choices of 4mm, 6mm, clear float or toughened, all standard and acoustic laminates, double glazed units to 24mm.

Sash Weight Limit

100kg

Maximum Sizes

WIDTH x HEIGHT

1500mm x 2600mm Single Hinged Unit
3000mm x 2600mm Double Hinged Unit
1500mm x 2600mm Tilt & Turn Unit

An uprated specification can be obtained upon application to accommodate larger sizes.

Weather Pile

Polypropylene draught strip and Q Lon to BS 7386.

Gasket

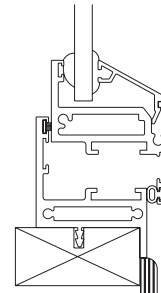
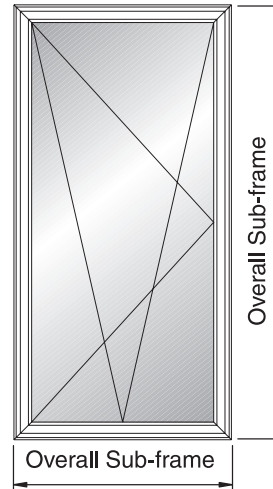
All gaskets extruded to BS 2782, standard colour black, white also available.

Optional Extras

Complete anti-ligature configuration, including flush fit locking system with detachable handle.

Full range of Arched and Shaped heads.

Integral blind system



Hinged Unit

Phone: 01769 574436
Email: info@omegabuild.com
Website: www.diysecondaryglazingkit.co.uk