

Vertical Sliders



The Product

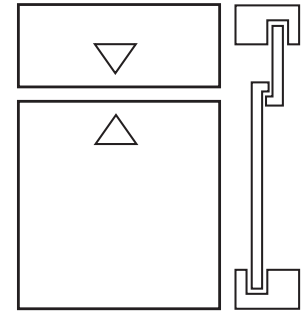
Due to the characteristics of the existing primary window, the Balanced Vertical Slider is the most complex type of secondary glazing system. It is applied generally to older properties. It is particularly suited to the refurbishment and upgrade of the nation's architectural heritage.

How it works

The individually pre-tensioned spiral spring balances control the motion of the sash, enabling infinite vertical positioning. This design provides ease of movement and has been specially developed to withstand decades of wear and tear. Tilt in versions can be pivoted through almost 180 degrees. This is especially useful for cleaning but just as importantly can be crucial when considering fire escape requirements.

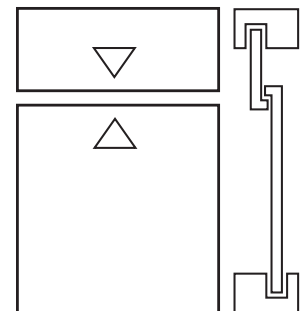
All variations of Granada's exclusive secondary glazing styles are completely compatible. Each type can be easily used with another no matter what the application may be.

Options



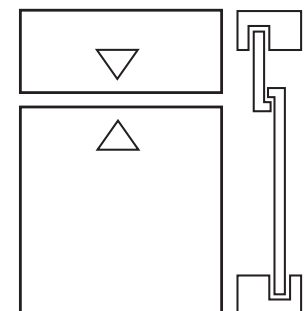
VS

VERTICAL SLIDER



BVS

VERTICAL SLIDER
(WITH SPRING BALANCES)



TILT-IN

VERTICAL SLIDER
(WITH SPRING BALANCES,
TOUGHENED GLASS)

Technical Specifications

CI/SfB
(314) Hh4

Hardwood Sub-Frames

SIZES

21mm x 45mm Standard
 21mm x 62mm Reveal fix
 30mm x 30mm Bay Adaptor

Hardwood or PVCU Trims

SIZES

6mm x 21mm S.B.N.
 6mm x 27mm S.B.N.
 6mm x 37mm S.B.N.
 6mm x 44mm S.B.N.
 6mm x 55mm S.B.N.
 6mm x 75mm S.B.N.
 6mm x 15mm D.B.N.
 6mm x 33mm D.B.N.
 6mm x 43mm D.B.N.

Aluminum

Aluminum alloy extruded to exclusive Granada designs from 6063T6 alloy to BS1474.

Finishes

Natural anodising to AA5 - BS 3987 Polyester Powder to BS 6496. stock finishes in EP white/Van Dyke brown. High gloss finish. 60 microns. Other RAL colours upon request.

Glazing

In accordance with BS 6206. Choices of 4mm, 6mm Clear Float or toughened, 6.4mm, 6.8mm, 7.5mm Laminates and 6.4mm, 6.8mm, 7.0mm Acoustic Glass.

Maximum Sizes

WIDTH x HEIGHT with 4mm glass

1200mm x 3150mm Vertical Sliders
 1620mm x 3600mm Balanced Vertical Sliders
 1620mm x 3600mm Tilt In Balanced Vertical Sliders

An uprated specification can be obtained upon application to accommodate larger sizes.

Weather Pile

Polypropylene draught strip to BS 7386.

Gasket

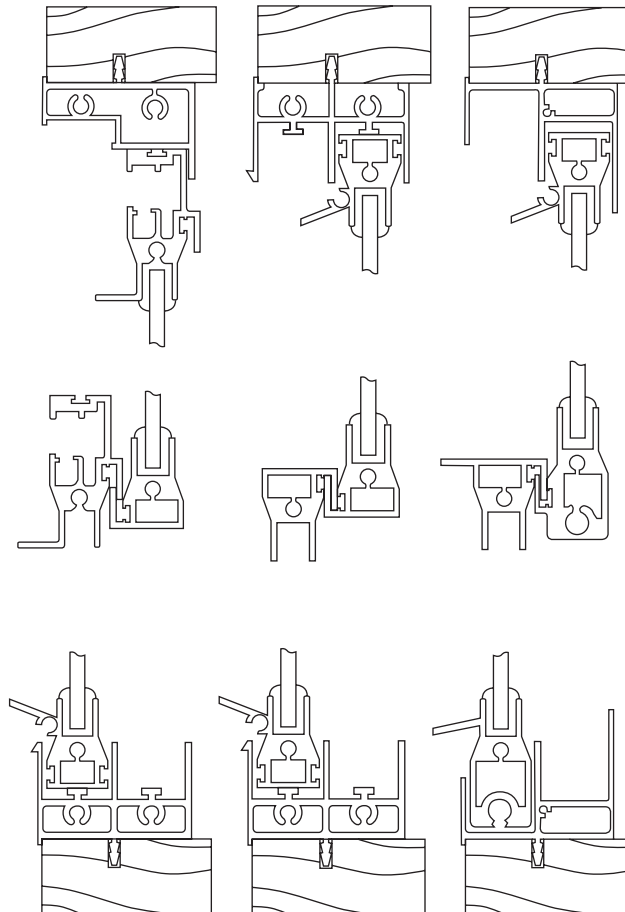
All gaskets extruded to BS 2782, standard colour black, white 4mm gasket also available.

Acoustics

See separate sheet

Optional Extras

Chubb Locks
 Flitch Lock
 Restricted Opening Locks
 Arched Heads
 Gothic Heads
 Stacking Units



Vertical Sliders

Balanced Vertical Sliders

Tilt-in Balanced Vertical Sliders
 Toughened Safety Glass as standard

Phone: 01769 574436
 Email: info@omegabuild.com
 Website: www.diysecondaryglazingkit.co.uk